

20 GN 1/1 ELECTRIC CONVECTION / STEAM OVEN
FORNO CONVEZIONE / VAPORE ELETTRICO 20 GN 1/1

| PNC | Model | Ref | Group | Level | Page | Notes |
|--------|------------|-----|-------|---------|---------|---------------------|
| 267204 | AOS201ETA1 | a | AOS | Touch | 2...11 | STD (400V - 3N) |
| 267214 | AOS201ETH1 | b | AOS | Touch | 2...11 | P80 (400V - 3N) |
| 267224 | AOS201ETN1 | c | AOS | Touch | 2...11 | Norvegia (230V - 3) |
| 267234 | AOS201ETC1 | d | AOS | Touch | 2...11 | Giappone (200V - 3) |
| 267244 | AOS201ETE1 | e | AOS | Touch | 2...11 | Marine (440V - 3) |
| 267254 | AOS201ETF1 | f | AOS | Touch | 2...11 | Marine (400V - 3) |
| 267284 | AOS201ETM1 | h | AOS | Touch | 2...11 | USA (208V - 3) |
| 267294 | AOS201ETB1 | i | AOS | Touch | 2...11 | USA(240V - 3) |
| 267304 | AOS201ETK1 | l | AOS | Touch | 2...11 | UK (400V - 3N) |
| 268204 | AOS201EBA2 | n | AOS | Level B | 2...11 | STD (400V - 3N) |
| 268214 | AOS201EBH2 | o | AOS | Level B | 2...11 | P80 (400V - 3N) |
| 268224 | AOS201EBN2 | p | AOS | Level B | 2...11 | Norvegia (230V - 3) |
| 268234 | AOS201EBC2 | q | AOS | Level B | 2...11 | Giappone (200V - 3) |
| 268244 | AOS201EBE2 | r | AOS | Level B | 2...11 | Marine (440V - 3) |
| 268254 | AOS201EBF2 | s | AOS | Level B | 2...11 | Marine (400V - 3) |
| 268304 | AOS201EBH2 | t | AOS | Level B | 2...11 | UK (400V - 3N) |
| 269204 | AOS201ECA2 | u | AOS | Level C | 2...11 | STD (400V - 3N) |
| 269214 | AOS201ECH2 | v | AOS | Level C | 2...11 | P80 (400V - 3N) |
| 269224 | AOS201ECN2 | z | AOS | Level C | 2...11 | Norvegia (230V - 3) |
| 237204 | FCZ201ETA | a1 | FCZ | Touch | 2...11 | STD (400V - 3N) |
| 237214 | FCZ201ETH | b1 | FCZ | Touch | 2...11 | P80 (400V - 3N) |
| 237224 | FCZ201ETN | c1 | FCZ | Touch | 2...11 | Norvegia (230V - 3) |
| 238204 | FCZ201EBA2 | d1 | FCZ | Level B | 2...11 | STD (400V - 3N) |
| 238214 | FCZ201EBH2 | e1 | FCZ | Level B | 2...11 | P80 (400V - 3N) |
| 238224 | FCZ201EBN2 | f1 | FCZ | Level B | 2...11 | Norvegia (230V - 3) |
| 238234 | FCZ201EBC2 | g1 | FCZ | Level B | 2...11 | Giappone (200V - 3) |
| 239204 | FCZ201ECA2 | h1 | FCZ | Level C | 2...11 | STD (400V - 3N) |
| 239214 | FCZ201ECH2 | i1 | FCZ | Level C | 2...11 | P80 (400V - 3N) |
| 239224 | FCZ201ECA2 | l1 | FCZ | Level C | 2...11 | Norvegia (230V - 3) |
| 267324 | AOS201ETV1 | m1 | AOS | Touch | 2... 11 | USA (480v-3) |
| 269304 | AOS201ECK2 | n1 | AOS | Level C | 2... 11 | UK (400V - 3N) |
| 266204 | AOS201EKA1 | o1 | AOS | Level K | 2...11 | STD (400V-3N) |
| 266224 | AOS201EKN1 | p1 | AOS | Level K | 2...11 | Norvegia (230V-3) |
| 236204 | FCZ201EKA | q1 | FCZ | Level K | 2...11 | STD (400V-3N) |
| 236224 | FCZ201EKN | r1 | FCZ | Level K | 2...11 | Norvegia (230V-3) |
| 266354 | AOS201EKR1 | s1 | AOS | Level K | 2...11 | 400V 3N 50/60HZ AUS |
| 267354 | AOS201ETR1 | t1 | AOS | Touch | 2...11 | 400V 3N 50/60HZ AUS |
| 268354 | AOS201EBR2 | u1 | AOS | Level B | 2...11 | 400V 3N 50/60HZ AUS |
| 269354 | AOS201ECR2 | v1 | AOS | Level C | 2...11 | 400V 3N 50/60HZ AUS |

| Pag | Index | Indice | Note |
|--------|------------------------|----------------------|------|
| 2 | Oven cabinet and door. | Cella forno e porta | |
| 3 | Water system | Impianto idraulico | |
| 4 | Boiler | Boiler | |
| 5 | Electrical components | Componenti elettrici | |
| 6 | Accessories | Accessori | |
| 7...10 | Spare parts list | Lista ricambi | |

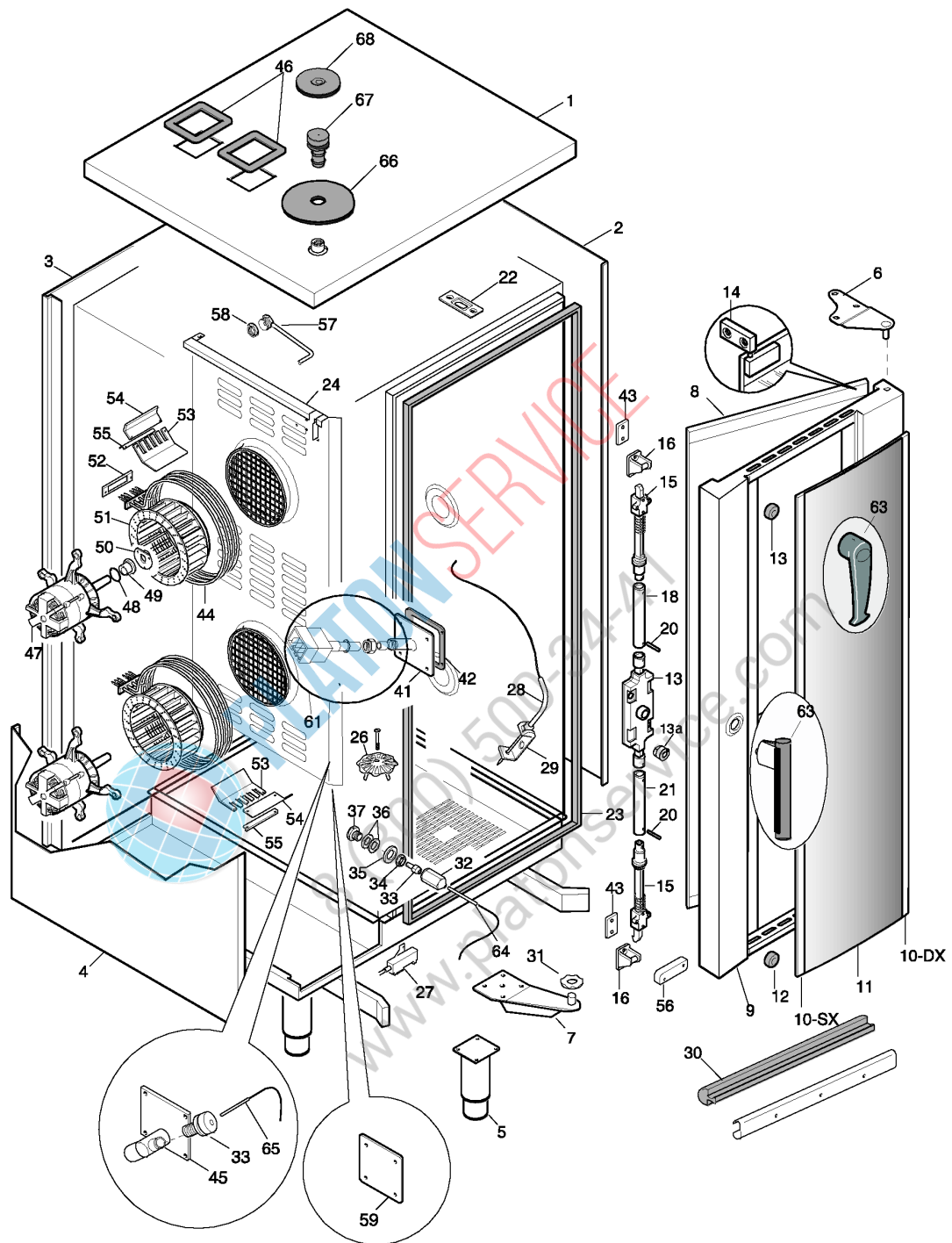
Brand/Marchio: All
Factory code: 9PDD

From sr. Nr/ Da Ser. Nr.: ***
From status level / Da scatto: 07

Page: 1

Ed. 2014 05

Doc. Nr.: **875400X00**



| ?????? | | 268204 | | | | | | | | | |
|--------|--------|------------|--------|-------------|---|-----------------------|--|--|--------------------|----------|--|
| ?????? | | 875400X00 | | ????????? 2 | | Oven cabinet and door | | | | | |
| . | | Alias | | S | | . | | | | (Euro) | |
| 0001 | OC4305 | 0873871302 | | | D | | | LID; ASSY; AOSQ 20 1/1 ELT | For Lev. C,K | 741,00 | |
| 0001 | OC6183 | 0530891900 | | | | | | LID; ONE 201E | | 153,30 | |
| 0002 | OC6205 | 0538832001 | | | | | | RIGHT SIDE; ONE 201 | | 249,70 | |
| 0003 | OC6207 | 0538834001 | | | | | | BACK PANEL; ONE 201 | | 181,70 | |
| 0004 | OC6209 | 0538834500 | | | | | | LEFT SIDE; ONE 201 | | 225,30 | |
| 0005 | OC4824 | 0806871700 | | S | | | | ADJUSTABLE FOOT; 2" INOX; 190-250MM | | 39,99 | |
| 0005 | OC4825 | 0806871800 | | | | | | ADJUSTABLE FOOT; 2"INOX MARIN 190-250MM | For Marine Version | 56,54 | |
| 0006 | 007086 | 0512816004 | | | | | | HINGE | | 48,92 | |
| 0007 | OC2483 | 0806843301 | | | | | | LOWER HINGE; ASSY | | 86,28 | |
| 0008 | OC5083 | 0873870102 | OC9801 | S | | + | | DOOR GLASS; ASSY; LW 201 AOSQ | | | |
| 0009 | OC6603 | 0879400802 | | | | | | DOOR ASSEMBLY | | 1 147,00 | |
| 0010 | OC4970 | 0530873600 | | | | | | PROFILE; DX ONE 20X | | 54,71 | |
| 0010 | OC4971 | 0530873700 | | | | | | PROFILE; SX ONE 20X | | 56,64 | |
| 0011 | OC4945 | 0574818701 | | | | | | DOOR GLASS; EXT; ONE 201 | For FCZ | 154,30 | |
| 0011 | OC6561 | 0574815303 | | | | | | DOOR GLASS; 1578X505MM; EXTERNAL | For AOS | 188,80 | |
| 0012 | 006976 | 0543828001 | | S | | | | SHOCK ABSORBER | | 4,33 | |
| 0012 | OC4119 | 0856808701 | | S | | | | DOOR CLOSING ASSY; AOS-Q 20 | | 206,00 | |
| 0013 | 003824 | 0853821500 | | | | | | CENTRAL LOCK MECHANISM | | 91,00 | |
| 0014 | 007007 | 0806822000 | | S | | | | HINGE | | 16,36 | |
| 0015 | 003822 | 0853821600 | OK2246 | | | | | HOOK; CLOSING DOOR | | | |
| 0016 | OC3802 | 0538804900 | | S | | | | CATCH; FCP 20 | | 43,44 | |
| 0018 | OC4309 | 0513800501 | | S | | | | SLIDE ROD; UPPER | | 22,23 | |
| 0020 | OH6043 | 0214593100 | | | | | | SPRING COTTER; 3X16 | | 1,02 | |
| 0021 | OC4310 | 0513801100 | | S | | | | SLIDE ROD; LOWER | | 32,28 | |
| 0022 | OC4088 | 0543839700 | | S | | | | GASKET | | 8,13 | |
| 0023 | OC1473 | 0543833700 | | S | A | | | OVEN GASKET; 1438X450MM | | 129,90 | |
| 0024 | OC4798 | 0831849104 | | | | | | SUCTION WALL; AOSQ 201 ELT | | 410,10 | |
| 0026 | OC1740 | 0518808600 | | S | | | | FILTER | | 13,26 | |
| 0027 | 049621 | 0654600000 | | | | + | | REED SWITCH | | 15,00 | |
| 0028 | OC6573 | 0830400A00 | | S | A | | | CORE PROBE; SINGLEPOINT | For Level B, C,K | 145,10 | |
| 0028 | OC6574 | 0830400B00 | | S | A | | | CORE PROBE; MULTIPOINT | For Level TOUCH | 234,50 | |
| 0029 | OC1505 | 0527865200 | | | | | | SUPPORT | | 7,29 | |
| 0030 | OC4121 | 0543839501 | | S | | | | DOOR GASKET; LOWER; L=657 MM | | 37,86 | |
| 0031 | 002653 | 0510815700 | | | | | | SPACER FOR HINGE | | 13,62 | |
| 0032 | 006991 | 0516855300 | | | | | | NUT | | 22,43 | |
| 0033 | OC4872 | 0543842600 | | S | | | | PLUG; FOR SENSOR | | 7,29 | |

| ?????? | 268204 | | | | | | | | | | | |
|--------|-----------|------------|-----------------------|---|---|-----|----------------|--|--|---|--------------------|--------|
| ?????? | 875400X00 | ???????? 2 | Oven cabinet and door | | | | | | | | | |
| . | | Alias | | S | | | . | | | | | (Euro) |
| 0034 | 020997 | 0214105101 | | | | | | | | LOCK NUT | | 1,25 |
| 0035 | 002700 | 0508838701 | | | | | | | | WASHER | | 3,07 |
| 0036 | 002624 | 0543816300 | | | | | | | | GASKET; SET 50 PCS | | 24,16 |
| 0037 | 002623 | 0516809400 | | | | | | | | PIPE FITTING | | 10,04 |
| 0041 | 0C4244 | 0806857201 | | S | | | | | | FLANGE; FOR LAMBDA SONDE | For Level A | 40,09 |
| 0042 | 0C4093 | 0543838300 | | S | | | | | | GASKET | | 11,09 |
| 0043 | 0C4122 | 0538807400 | | S | | | | | | THICKNESS | | 8,77 |
| 0044 | 007064 | 0617823801 | 0C6501 | | A | | | | | HEATING ELEMENT; 5670W-400V | For 400V Version | |
| 0044 | 007066 | 0617826900 | 0C7052 | | | | | | | HEATING ELEMENT; 5666W 230V | For 230V Version | |
| 0044 | 0C1396 | 0617829200 | | | | | | | | HEATING ELEMENT; 5,5 KW 208V USA | For 208V Version | 169,50 |
| 0044 | 0C1500 | 0617829800 | | | | | | | | HEATING ELEMENT; 5,5KW 240V; USA | For 240V Version | 172,60 |
| 0044 | 0C1936 | 0617827000 | 0C7059 | | | | | | | HEATING ELEMENT; 5,67KW 440V | For 440V Version | |
| 0044 | 0C6026 | 0617838900 | 0C6985 | | D | | | | | HEATING ELEMENT; 200V-5660W; W/PIVOT | For 200V Version | |
| 0045 | 0C4311 | 0806856300 | | | | | | | | HOSE; WITH FLANGE; AOSQ 20 | For Level B | 179,70 |
| 0046 | 0C1194 | 0543832100 | | S | | | | | | GASKET | | 7,92 |
| 0047 | 006998 | 0611806001 | | S | A | | | | | MOTOR ;190W 230 V 50/60 HZ; 4/6 POLES | For Level TOUCH, B | 228,40 |
| 0047 | 0C1474 | 0611807300 | | S | | | | | | MOTOR; 190W 230V 50/60 HZ 4/6 P; USA | For 208V,240V 60Hz | 227,40 |
| 0047 | 0C5287 | 0611809000 | | S | A | | | | | MOTOR; 1F 4P 190W 200-240V | For Level C,K | 204,00 |
| 0048 | 002873 | 0543816700 | | | | | | | | O-RING; ØI=MM.28,17X3,53 | | 2,43 |
| 0049 | 002699 | 0516808902 | | | | | | | | BEARING; FOR MOTOR SHAFT | | 20,50 |
| 0050 | 0C4138 | 0538815401 | | S | | | | | | FLANGE | | 5,81 |
| 0051 | 0C6463 | 0835400800 | | S | | | | | | FAN BLADE | | 207,10 |
| 0052 | 002689 | 0543816501 | | | | | | | | HEATING ELEMENT GASKET | | 26,09 |
| 0053 | 0C3830 | 0527833700 | | S | | | | | | SUPPORT | | 14,58 |
| 0054 | 006256 | 0503891801 | | S | | | | | | BLADE; FOR FIXING HEATING ELEMENT | | 15,20 |
| 0055 | 006253 | 0503897402 | | S | | | | | | ANGLE | | 9,19 |
| 0056 | 049627 | 0699603700 | | | | | | | | MAGNET | | 9,82 |
| 0057 | 0C4975 | 0856828400 | | S | | | | | | WATER PIPE; ONE 101/201 LIV.C | For Level C,K | 42,43 |
| 0058 | 0C6228 | 0516887101 | | S | | | | | | PIPE FITTING | For Level C,K | 18,88 |
| 0059 | 0C4857 | 0527898900 | | | | | | | | PLAQUE | For Level C,K | 6,33 |
| 0061 | 0C6465 | | | S | A | Kit | PDD2011 -10 | | | LAMBDA PROBE; KIT | For Level Touch | 173,60 |
| 0063 | 0C6568 | 0830400200 | | S | | | | | | DOOR HANDLE | for AOS Group | 77,34 |
| 0063 | 0C8719 | 0806873601 | 0C9149 | S | | + | | | | DOOR HANDLE; COMPLETE | for FCZ Group | |
| 0065 | 0C6539 | 0830899101 | | S | A | | | | | THERMOCOUPLE PROBE; L=1100MM; STRAIGHT | | 40,19 |
| 0066 | 0C7016 | 0543400900 | | S | | | | | | GASKET; ØE=74MM; ØI=17MM; H=12,5MM | | 4,01 |
| 0067 | 002692 | 0543816601 | | | | | | | | CAP; DESCALING LOAD IN THE BOILER | | 6,76 |

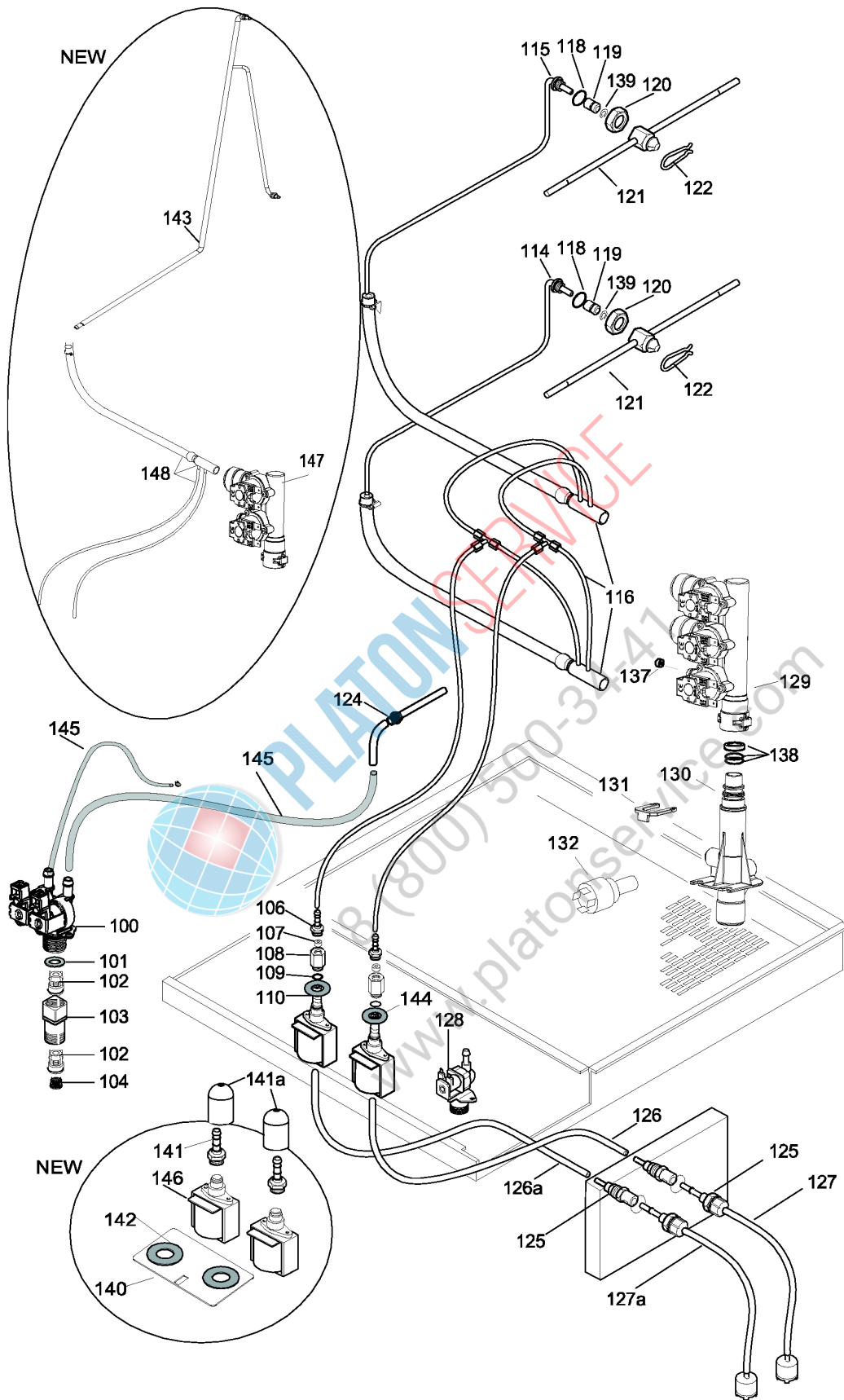
| ?????? | 268204 | | | | | | | | |
|--------|-----------|------------|-----------------------|---|--|--|---|---------|--------|
| ?????? | 875400X00 | ???????? 2 | Oven cabinet and door | | | | | | |
| . | | Alias | | S | | | . | | (Euro) |
| 0068 | 0C4965 | 0543843201 | | S | | | | BUFFER | 12,04 |
| 013a | 0C8627 | 0806873501 | | S | | | | BUSHING | 32,28 |



PLATON SERVICE

8 (800) 500-34-41

www.platonservice.com



From sr. Nr/ Da Ser. Nr.: ***
 From status level / Da scatto: 07

Page: 3

Ed. 2014 05

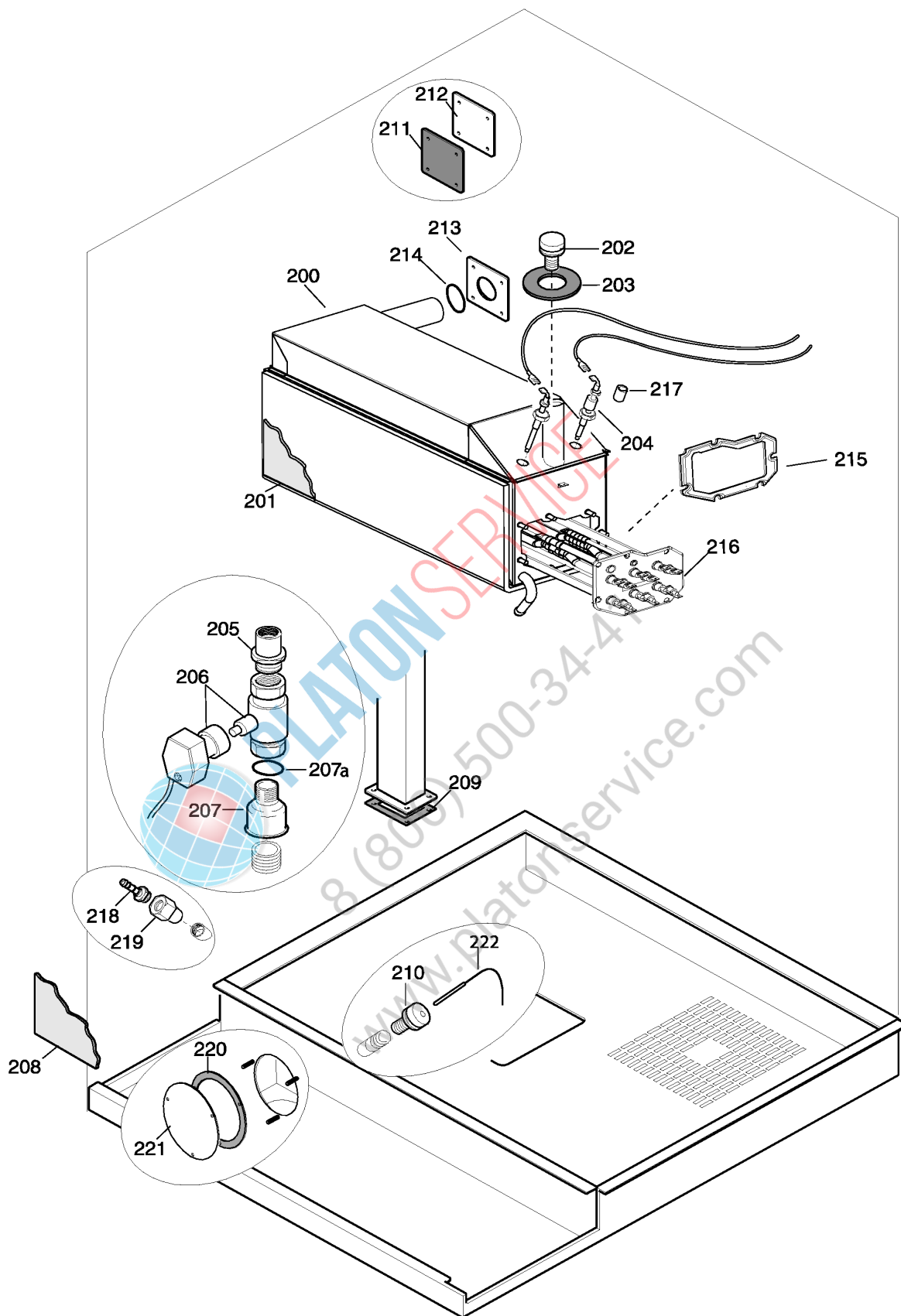
Doc. Nr.: **875400X00**

| ?????? | 268204 | | | | | | | | | |
|--------|-----------|------------|--------------|---|---|----------------|---|---|-------------------|--------|
| ?????? | 875400X00 | ???????? 3 | Water system | | | | | | | |
| . | | Alias | | S | | | . | | | (Euro) |
| 0100 | 0C5517 | 0696808400 | | S | A | | | WATER SOLENOID VALVE; 2 VIE/180 5/L MIN | for Level TOUCH,B | 33,36 |
| 0101 | 0C4096 | 0543840600 | | S | | | | FILTER GASKET | for Level TOUCH,B | 1,27 |
| 0102 | 0C2312 | 0549801800 | | S | | | | NONRETURN VALVE | for Level TOUCH,B | 5,86 |
| 0103 | 0C2313 | 0516879400 | | S | | | | PIPE FITTING | for Level TOUCH,B | 29,54 |
| 0104 | 0C4096 | 0543840600 | | S | | | | FILTER GASKET | | 1,27 |
| 0106 | 0C4198 | 0516896102 | | S | | | | RUBBER HOLDER; G1/4" DIA 4 MM | | 13,30 |
| 0107 | 0C1117 | 0544809000 | | S | | | | NONRETURN VALVE | | 6,90 |
| 0108 | 0C1116 | 0516871900 | | S | | | | FITTING; RINSE AND DETERGENT PUMPS | | 10,29 |
| 0109 | 0C1935 | 0543832300 | | S | | | | O-RING; ØI=6,75X1,78 MM | | 1,02 |
| 0110 | 0C2341 | 0680801201 | 0C6947 | | | | | PUMP | for 50 Hz | |
| 0110 | 0C2342 | 0680801301 | | S | A | | | ELECTRIC PUMP; 120V 60HZ 32W | for 60 Hz | 60,39 |
| 0110 | 0C5371 | | 0C9067 | | | Kit | | ELECTRIC PUMP; KIT; 208-240V | For 50 Hz | |
| 0114 | 0C6031 | 0806871100 | | S | | | | DUCT; ASSY | | 41,21 |
| 0115 | 0C6047 | 0806870900 | | S | | | | PIPE | | 110,60 |
| 0116 | 0C6024 | | | S | | | | HEATING ELEMENT; 200W-17000W | | 283,20 |
| 0118 | 0C4201 | 0543841400 | | S | | | | GASKET; 17X22X1,5 | | 2,53 |
| 0119 | 0C4467 | 0516898301 | | S | | | | BUSHING; FCS 6 | | 10,77 |
| 0120 | 0C4202 | 0516892301 | | S | | | | LOCK NUT; INOX M16X1.5X6H | | 5,33 |
| 0121 | 0C5503 | 0806873900 | 0C8317 | | | | | WASH ARM; ASSY; L=422MM | | |
| 0122 | 007026 | 0518807100 | | S | | | | SPRING | | 14,25 |
| 0124 | 007075 | 0H22982800 | | S | | | | PIPE | for Level TOUCH,B | 29,84 |
| 0124 | 0C4977 | 0856828600 | | S | | | | WATER PIPE; ONE 061-101-201 LIV. C | for Level C,K | 28,62 |
| 0125 | 0C1127 | 0831811702 | | S | | | | EXTERNAL CLEANING SYSTEM GROUP; L=1600MM | | 119,80 |
| 0126 | 0C9799 | | | | | | | HOSE; BY METER; 6X8 RED | | 3,74 |
| 0127 | 0C9797 | | | | | | | HOSE; BY METER;4X6 RED | | 3,18 |
| 0128 | 0C5515 | 0696808200 | | S | A | | | WATER SOLENOID VALVE; 1 VIA/180° | for Level C | 15,86 |
| 0128 | 0C6170 | 0696808801 | | S | A | | | SOLENOID VALVE; 1VIA; 230V 50/60HZ | for Level B | 15,86 |
| 0129 | 0C6371 | 0696400200 | | | D | PDD2012 -17 | | WATER DISTRIBUTOR; 1U-230V 2U-110V 50/60 | For 60Hz | 85,56 |
| 0129 | 0C6372 | 0696808700 | | | D | PDD2012 -17 | | WATER DISTRIBUTOR; 3 OUTPUT; 230V 50/60H | For level TOUCH,B | 78,36 |
| 0129 | 0C6407 | 0696400400 | | | D | PDD2012 -17 | | WATER DISTRIBUTOR; 2U.230V- 50/60HZ | for Level C,K | 69,02 |
| 0130 | 0C6370 | 0831857200 | | S | | | | MANIFOLD; ASSY | | 42,43 |
| 0131 | 0C6222 | 0546825100 | | S | | | | SAFETY DEVICE | | 6,26 |
| 0132 | 0C6217 | 0646817200 | | S | A | | | PRESSURE SWITCH; GP600 | | 33,50 |
| 0137 | 0C6375 | | | S | | Kit | | FLOW REDUCER; KIT 4PCS | | 11,67 |
| 0138 | 061303 | | | S | | | | RING | | 1,02 |
| 0139 | 0C6421 | 0219035015 | | S | | | | SPRING RING | | 1,02 |

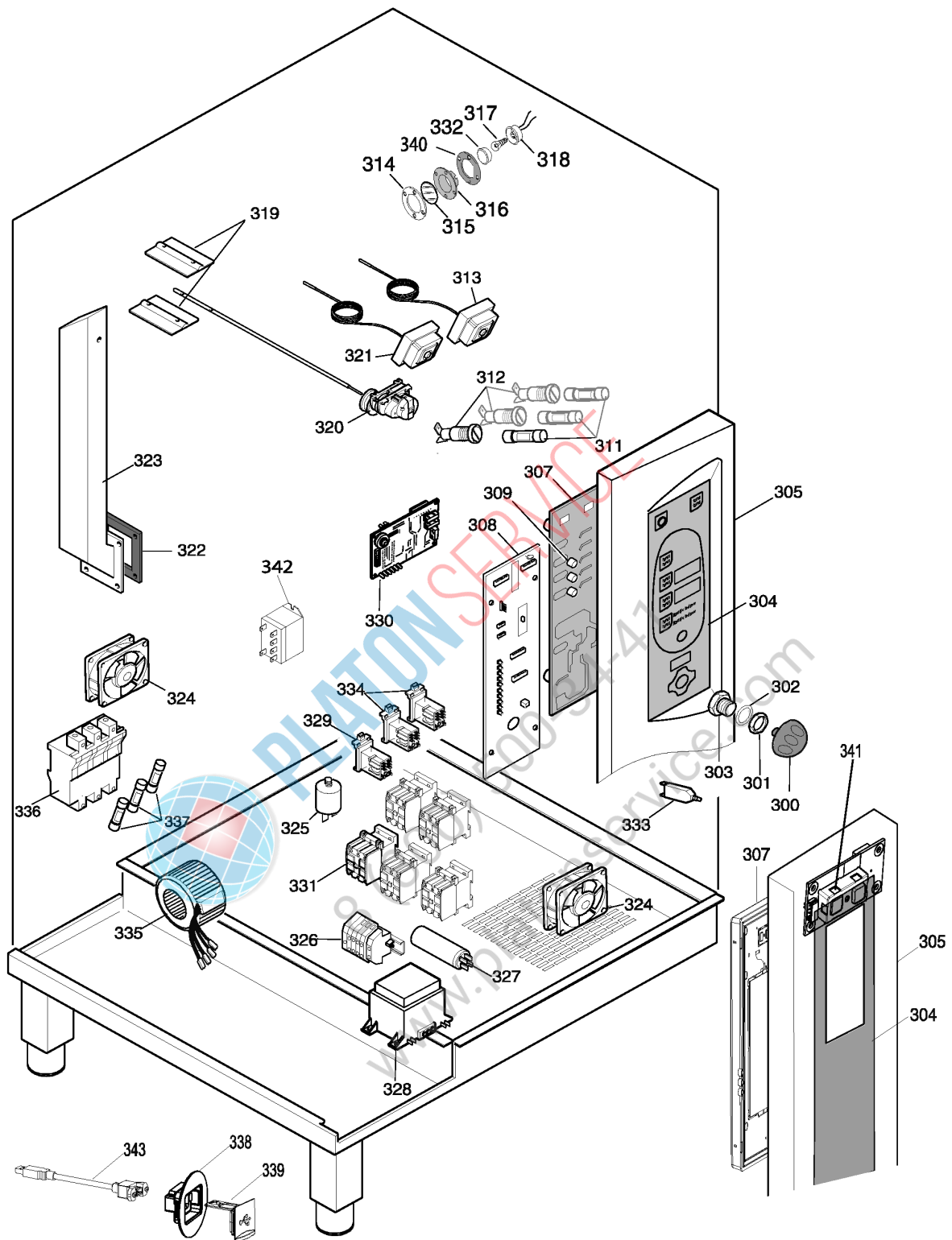
| ?????? | 268204 | | | | | | | | |
|--------|-----------|------------|--------------|---|--|--|---|-------------------------------------|--------|
| ?????? | 875400X00 | ???????? 3 | Water system | | | | | | |
| . | | Alias | | S | | | . | | (Euro) |
| 0140 | 0C7924 | 0505401R00 | | S | | | | FIXING PLAQUE | 6,22 |
| 0141 | 0C8348 | 0544400C01 | | | | | | RUBBER HOLDER; DIA.5MM 1/8" | |
| 0142 | 0C7925 | 0543400R00 | | S | | | | CABLE GROMMET; ØINT 24.6 ØEST 38 | 15,23 |
| 0143 | 0C8328 | 0805402400 | | | | | | MAIN PIPE | 80,90 |
| 0144 | 005382 | 0246530100 | | S | | | | GROMMET; DIA.22 | 1,99 |
| 0145 | 0C5829 | 0544819400 | 0C4832 | S | | | | TUBE; BLU; 10X17; BY METER | |
| 0146 | 0C8347 | 0686400100 | 0C9067 | | | | | PUMP; 230-240V 50-60HZ; UL | |
| 0147 | 0C8683 | 0835400L00 | | S | | | | WATER INLET GROUP; 220 240V UL | 122,80 |
| 0147 | 0C8684 | 0835400M00 | | S | | | | WATER INLET GROUP; 220 240V UL | 102,50 |
| 0148 | 0C8458 | 0805400402 | | | | | | MANIFOLD; ASSY | 30,96 |
| 126a | 0C9800 | | | | | | | HOSE; BY METER; 6X8; LIGHTBLU | 3,74 |
| 127a | 0C9798 | | | | | | | HOSE; BY METER; 4X6; LIGHTBLU | 3,18 |
| 141a | 0C9538 | 0546400J00 | | | | | | PROTECTING CAP; BLACK | |



PLATON SERVICE
 8 (800) 500-34-41
 www.platonservice.com



| ?????? | | 268204 | | | | | | | | | |
|--------|--------|------------|--------|------------|---|--------|---|---|--------------------------|--------|--|
| ?????? | | 875400X00 | | ???????? 4 | | Boiler | | | | | |
| . | | Alias | | S | | | . | | | (Euro) | |
| 0200 | 0C9664 | 0878401400 | | S | A | | | BOILER; KIT; ELT 102-201 | | 796,00 | |
| 0201 | 0C5060 | 0560856300 | | | | | | BOILER INSULATION; KIT | | 78,26 | |
| 0202 | 002692 | 0543816601 | | | | | | CAP; DESCALING LOAD IN THE BOILER | | 6,76 | |
| 0203 | 002634 | 0543817500 | 0C7016 | | | | | BUFFER | | | |
| 0203 | 0C4965 | 0543843200 | | S | | | | BUFFER | For Lev. C,K | 12,04 | |
| 0204 | 0C1201 | 0830890600 | | S | A | | | LEVEL PROBE; ASSY | | 32,99 | |
| 0205 | 007117 | 0516809501 | | S | | | | CONNECTION | | 15,81 | |
| 0206 | 0C0882 | 0696804201 | | S | A | | | MOTOR-OPERATED VALVE; 3/4" 230V 50/60HZ | | 144,10 | |
| 0206 | 0C5518 | 0696808500 | | S | | | | BALL VALVE; 3/4' USA 240V 50/60HZ | For 208V,240V 60Hz | 145,10 | |
| 0207 | 007040 | 0511817600 | | S | | | | CONNECTION | | 11,09 | |
| 0208 | 0CA349 | 0560840803 | | | | | | KIT INSULATOR; AIR BREAK AOSQ 20 1/1 | | 37,56 | |
| 0209 | 0C4133 | 0543832400 | | | | | | GASKET; FOR AIR-BREAK | | 31,97 | |
| 0210 | 0C4872 | 0543842600 | | S | | | | PLUG; FOR SENSOR | | 7,29 | |
| 0211 | 0C4856 | 0527898700 | | | | | | FLANGE | For Lev. C,K | 6,76 | |
| 0212 | 0C4963 | 0543842800 | | S | | | | GASKET; FOR BOILER | For Lev. C,K | 19,54 | |
| 0213 | 0C4821 | 0527898600 | | S | | | | FLANGE | | 7,39 | |
| 0214 | 002874 | 0543816800 | | | | | | O-RING; ØI=31,34X3,53 MM | | 3,48 | |
| 0215 | 0C5834 | 0543844800 | | S | | | | GASKET; BOILER HEATING ELEMENT | | 19,69 | |
| 0216 | 0C5822 | 0617837200 | | | | | | HEATING ELEMENT; 208V-20000W | For 208V Version | 288,30 | |
| 0216 | 0C5825 | 0617837800 | | | | | | HEATING ELEMENT; 240V-20000W | For 240V Version | 299,40 | |
| 0216 | 0C5841 | 0617836500 | | S | A | | | HEATING ELEMENT; 400V-24000W | For 400V Version | 211,10 | |
| 0216 | 0C5844 | 0617837500 | | | | | | HEATING ELEMENT; 230V-20000W | For 230V Version | 288,30 | |
| 0216 | 0C5847 | 0617838400 | | S | | | | HEATING ELEMENT; 440V-24000W | For 440V Version | 311,60 | |
| 0216 | 0C6027 | 0617839500 | | | | | | HEATING ELEMENT; 200V-20000W | For 200V Version | 291,30 | |
| 0217 | 055347 | 0515857001 | | | | | | SPACER; H=11,5MM | | 5,81 | |
| 0218 | 0C5564 | 0510828000 | | S | | | | RUBBER HOLDER; 1/4"; FOR TUBE DIA.10MM | | 5,33 | |
| 0219 | 0C4099 | 0516879600 | | S | | | | NOZZLE; 1/4"FD3.5-3/8"M | | 18,88 | |
| 0220 | 0C7033 | 0543400000 | | S | | | | GASKET | for level TOUCH | 17,95 | |
| 0221 | 0C3443 | 0J89061403 | | | | | | WASHER; FOR DOOR | | 15,84 | |
| 0222 | 0C6539 | 0830899101 | | S | A | | | THERMOCOUPLE PROBE; L=1100MM; STRAIGHT | for Level TOUCH e B | 40,19 | |
| 207a | 002874 | 0543816800 | | | | | | O-RING; ØI=31,34X3,53 MM | For Touch, Lev.B version | 3,48 | |



From sr. Nr/ Da Ser. Nr.: ***
 From status level / Da scatto: 07

Page: 5

Ed. 2014 05

Doc. Nr.: **875400X00**

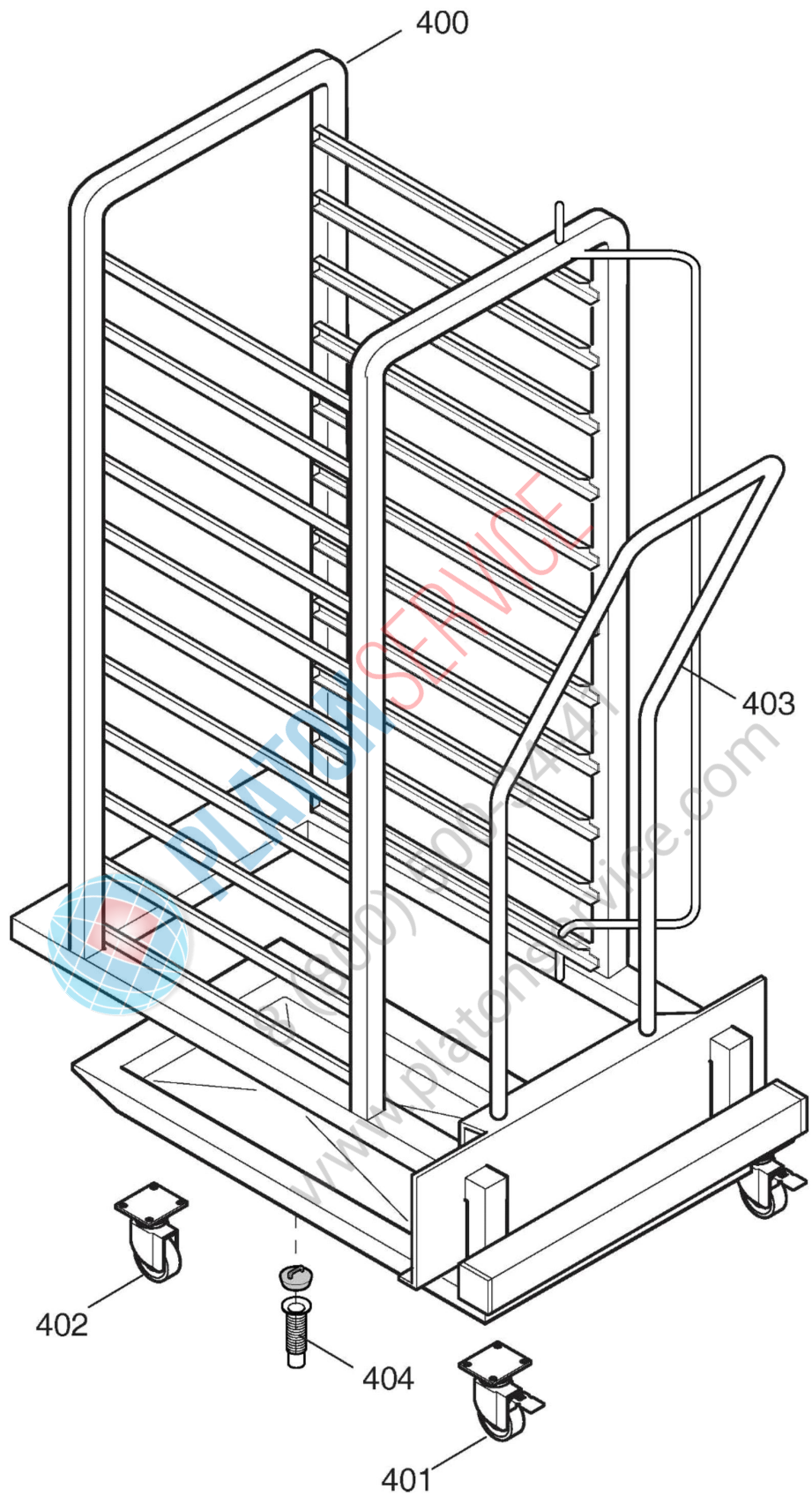
| ?????? | 268204 | | | | | | | | | |
|--------|-----------|------------|-----------------------|---|---|------------|---|--|---|--------|
| ?????? | 875400X00 | ???????? 5 | Electrical components | | | | | | | |
| . | | Alias | | S | | | . | | | (Euro) |
| 0300 | 0C5600 | 0806874001 | 0C4875 | | | | | KNOB | For level B,C,K | |
| 0301 | 051263 | 0214114900 | | | | | | LOCK NUT | For level B,C,K | 3,80 |
| 0302 | 002727 | 0508836400 | | | | | | WASHER | For level B,C,K | 1,02 |
| 0303 | 002662 | 0516807301 | | | | | | BUSH | For level B,C,K | 6,02 |
| 0304 | 0C4948 | 0675855001 | | | | | | ADHESIVE MEMBRANE; ONE; LIV.B | for Level B FCZ Ver. | 67,90 |
| 0304 | 0C4949 | 0675855102 | | | | | | ADHESIVE MEMBRANE; ONE; LIV.C | for Level C FCZ Ver. | 56,43 |
| 0304 | 0C6550 | 0548400600 | | S | | | | ADHESIVE MEMBRANE | AOS Ver. | 111,70 |
| 0304 | 0C6551 | 0548400B00 | | | | | | ADHESIVE MEMBRANE | FCZ Ver. | 59,28 |
| 0304 | 0C6554 | 0548400G00 | | | | | | ADHESIVE MEMBRANE | for Level B AOS Ver. | 121,80 |
| 0304 | 0C6557 | 0548400K00 | | | | | | ADHESIVE MEMBRANE | for Level C AOS Ver. | 197,90 |
| 0304 | 0C8707 | 0548401H00 | | | | | | ADHESIVE MEMBRANE; TOUCHSCREEN 20 ELUX' | For level touch "K" AOS ver. | 221,30 |
| 0305 | 0C4908 | 0873896602 | | | | | | CONTROL PANEL; ONE 201 LIV.B | for Level B FCZ Ver. | 270,00 |
| 0305 | 0C4909 | 0873896702 | | | | | | CONTROL PANEL; ONE 201 LIV.C | for Level C FCZ Ver. | 270,00 |
| 0305 | 0C6586 | 0870400902 | 0C7031 | | | | | CONTROL PANEL | AOS Ver. | |
| 0305 | 0C6587 | 0870400A00 | | | | | | CONTROL PANEL; 201 LIV.B | for Level B AOS Ver. | 316,70 |
| 0305 | 0C6596 | 0870400N00 | | | | | | CONTROL PANEL | FCZ Ver. | 273,00 |
| 0305 | 0C6597 | 0870400P00 | | | | | | CONTROL PANEL; 201 LIV.C | for Level C AOS Ver. | 316,70 |
| 0305 | 0C7031 | 0875401B01 | | | | | | CONTROL PANEL; CPL.; WITH MEMBRANE | for TOUCH AOS Group | 440,50 |
| 0305 | 0C8709 | 0548401H00 | | | | | | CONTROL PANEL; COMPLETE W/MEMBRANE | For level touch "K" AOS ver. | 533,00 |
| 0307 | 0C0041 | 0675838802 | | S | A | | | USER INTERFACE; LIV B | for Level B | 332,90 |
| 0307 | 0C4891 | 0675854600 | | | D | PDD2012-16 | | USER INTERFACE BOARD | for Level C | 347,10 |
| 0307 | 0C6570 | 0675400801 | | S | A | | | MOTHERBOARD; COP20-T | FOR LEVEL c (START S/N 120...) for Level TOUCH.K | 426,30 |
| 0307 | 0C6571 | 0675837902 | 0C8805 | | | | | USER INTERFACE BOARD; COPUI40-T | for Level TOUCH | |
| 0308 | 0C0042 | 0675400200 | | S | A | | | POWER BOARD; COP20-A; LIV A/B/C LW | for Level B | 588,00 |
| 0308 | 0C0042 | 0675854501 | | S | A | | | POWER BOARD; COP20-A; LIV A/B/C LW | for Level C | 588,00 |
| 0309 | 0C3750 | 0546814001 | 0C3751 | S | | | | SPACER; 6.6 | for Level B, C ,K | |
| 0309 | 0C5833 | 0546824600 | | S | | | | BUTTON EXTENSION; L=7,4MM | For Level B,C,K | 1,02 |
| 0309 | 0C6564 | 0633847400 | | S | | | | SHIELDED CABLE | for TOUCH level | 24,26 |
| 0309 | 0C6565 | 0638400P00 | | | | | | EXTENSION CABLE | for TOUCH level | 14,15 |
| 0311 | 058871 | 0652800901 | | | | | | FUSE; 6,3A; 5X20; QUICK ACTING | | 1,02 |
| 0311 | 0C1480 | 0652803300 | | S | | | | FUSE; 5*20 6,3A T; USA | For 208V-240V | 1,25 |
| 0311 | 0C2230 | 0652805100 | | S | | | | FUSE; 6,3*32 FAST 6,3A 500V OMEGA GF6322 | For Marine Version | 4,22 |
| 0311 | 0C2236 | 0652805200 | | S | | | | FUSE; 1.6A FAST 5X20 WEBER 0401601 | For 200V | 1,92 |
| 0311 | 0C2301 | 0652803900 | | S | | | | FUSE; OMEGA 800MA (COD. ST22180) | | 1,27 |
| 0311 | 0C3650 | 0652804900 | 0C3651 | S | | | | FUSE; 6,3X32 FAST 3,15A 500V | For Marine Version | |

| ?????? | 268204 | | | | | | | | | |
|--------|-----------|------------|-----------------------|---|---|-----|---|---|--|--------|
| ?????? | 875400X00 | ???????? 5 | Electrical components | | | | | | | |
| . | | Alias | | S | | | . | | | (Euro) |
| 0311 | 0C6034 | 0652803100 | | S | | | | FUSE; TIME-LAG; 5X20 T1.6A | For 200V | 1,27 |
| 0312 | 0C2228 | 0652804800 | | | | | | FUSE CARRIER; SCHURTER FEC 0031.1631+003 | For Marine Version | 18,09 |
| 0312 | 0F0031 | 0652802100 | | | | | | FUSE CARRIER | | 16,08 |
| 0313 | 006314 | 0646810802 | | S | | | | SAFETY THERMOSTAT; 338 C | For 208V | 121,80 |
| 0313 | 007042 | 0646812200 | | S | A | | | SAFETY THERMOSTAT; 357°C | | 93,15 |
| 0314 | 002628 | 0508840801 | | | | | | FLANGE | | 4,01 |
| 0315 | 002627 | 0574804900 | | | | | + | LAMP GLASS | | 10,24 |
| 0316 | 002626 | 0543817202 | | | | | + | LAMP HOLDER GASKET | | 15,39 |
| 0317 | 0C4396 | 0660808300 | 0C9877 | | A | | | HALOGEN LAMP; 12V-10W 300GR C. | | |
| 0318 | 007105 | 0660806800 | | S | | | | LAMP HOLDER | | 27,61 |
| 0319 | 0C1169 | 0538804000 | | | | | | THROTTLE | | 19,89 |
| 0320 | 0C5501 | 0680802300 | 0C0883 | | | | | GEARMOTOR; 230V-50HZ | | |
| 0320 | 0C5502 | 0680802400 | 0C1479 | | | | | GEARMOTOR; 24V-60HZ; USA | For 60Hz | |
| 0321 | 0C2983 | 0646814900 | | S | A | | | OVERTEMPERATURE LIMITER; 140GR 3P | | 82,80 |
| 0322 | 0C1168 | 0543832200 | | S | | | | GASKET | | 31,57 |
| 0323 | 0C1219 | 0831806402 | | | | | | PIPE | | 69,53 |
| 0324 | 0C4106 | 0624811000 | | | A | | | FAN; 220/240V 50/60HZ | | 37,76 |
| 0325 | 049303 | 0694605400 | | | | | | RADIO INTERFERENCE FILTER; 250V 50/60HZ | | 23,55 |
| 0326 | 006238 | 0639806801 | | | | | | TERMINAL BOARD | | 41,92 |
| 0326 | 0C4820 | 0639812400 | | | A | | | TERMINAL BOARD; 35MMQ | For 230V, 208V,240V | 40,40 |
| 0326 | 0C6029 | 0639813200 | | | D | | | TERMINAL BOARD; TC100 76A 1000V | For 200V | 195,90 |
| 0326 | 0F0112 | 0639808600 | | | | | | TERMINAL BOARD | | 28,62 |
| 0327 | 047541 | 0694604400 | | | | | | CAPACITOR; 12,5MF | For Level A, B | 12,31 |
| 0327 | 0C5526 | 0694806000 | | S | | | | CAPACITOR; 8 MF | For Level C,K | 13,73 |
| 0328 | 007046 | 0624807101 | 0C9865 | | | | | TRANSFORMER;100/200/230V 12/24V 50/60HZ | For 200V | 45,67 |
| 0328 | 0C0949 | 0624807700 | | S | | | | TRANSFORMER | For Marine Version | 163,40 |
| 0328 | 0C6400 | 0624400100 | | S | A | Kit | | TRANSFORMER; KIT | | 76,73 |
| 0328 | 0C6945 | 0624807901 | | S | A | | | TRANSFORMER; 450VA 12/24/120/208/220/240 | For 208V Version | 218,20 |
| 0329 | 058557 | 0648803001 | 058857 | | | | | RELAY | For 208V-240V | |
| 0329 | 088267 | 0648722900 | | S | | | | RELAY; COIL 200-240VAC | For 208V-240V | 39,18 |
| 0330 | 007047 | 0624807002 | | S | A | | | POWER SUPPLY BOARD; LAMBDA PROBE | for TOUCH level | 145,10 |
| 0331 | 006879 | 0648807400 | | S | A | | | CONTACTOR; 220-240V 50HZ/240-264V 60HZ | For Level C, 230V, 208V, 240V, 200V,K | 37,68 |
| 0331 | 007080 | 0648807700 | | S | A | | | CONTACTOR; 220-240V 50HZ/240-264 60HZ | For Level C, 230V, 208V, 240V,K | 79,89 |
| 0331 | 007104 | 0648807800 | | S | A | | | CONTACTOR; 220-240V 50HZ/240-264V 60HZ | For Level A, B | 115,60 |
| 0331 | 088447 | 0648807300 | 087913 | | | | | LAMP BODY | For Level A, B | |
| 0331 | 0L0355 | 0648613200 | | S | A | + | | CONTACTOR; 220-240V 50HZ/240-264V 60HZ | For Japan models 200V | 68,73 |

| ?????? | 268204 | | | | | | | | | |
|--------|-----------|------------|-----------------------|---|---|--|---|---|--------------------|--------|
| ?????? | 875400X00 | ???????? 5 | Electrical components | | | | | | | |
| . | | Alias | | S | | | . | | | (Euro) |
| 0332 | 0C4459 | 0509803900 | | S | | | | LAMP CAP | | 5,91 |
| 0333 | 0C6061 | 0648808200 | | S | | | | SWITCH; 240V-2,3A | For Marine Version | 24,66 |
| 0334 | 000000 | | | | | | | | | |
| 0335 | 0C6945 | 0624400000 | | S | A | | | TRANSFORMER; 450VA 12/24/120/208/220/240 | For 208V,240V | 218,20 |
| 0336 | 0C1487 | 0652803400 | | | | | | FUSE CARRIER | For 208V,240V | 117,70 |
| 0337 | 0C1488 | 0652803500 | | | | | | FUSE; 63A 22*58; USA | For 208V,240V | 54,08 |
| 0338 | 0C6547 | 0546400200 | | | | | | BOWL; FOR USB | for TOUCH level | 3,17 |
| 0339 | 0C6546 | 0541400A00 | | | | | | PLUG; PER USB | for TOUCH level | 5,29 |
| 0340 | 0C5451 | 0543843500 | | S | | | | LAMP HOLDER GASKET | | 4,54 |
| 0341 | 0C8033 | 0675858601 | | S | | | | BUTTON; 0/I; TOUCH | For touch level | 52,27 |
| 0342 | 088267 | 0648722900 | | S | | | | RELAY; COIL 200-240VAC | | 39,18 |
| 0343 | 0C6566 | 0638400Y00 | | S | | | | USB EXTENSION; L=340MM | for TOUCH level | 12,46 |



PLATON SERVICE
 8 (800) 500-34-41
 www.platonservice.com



| ?????? | 268204 | | | | | | | | | |
|--------|-----------|------------|-------------|---|---|--|---|--|---------------------|----------|
| ?????? | 875400X00 | ???????? 6 | Accessories | | | | | | | |
| . | | Alias | | S | | | . | | | (Euro) |
| 0400 | 007106 | 0853854207 | | | D | | | TROLLEY TRAY RACK F. 20X1/1GN.63MM PITCH | For P 60 Version | 2 040,00 |
| 0400 | 0C4127 | 0853858706 | | | | | | | For P 80 Version | |
| 0401 | 0C1631 | 0835865000 | | S | | | | CASTOR WITH BRAKE; DIA 100MM | | 37,56 |
| 0402 | 0C1632 | 0835865100 | | S | | | | CASTOR WITHOUT BRAKE | | 31,06 |
| 0403 | 007108 | 0517868200 | | | | | | HANDLE | | 137,00 |
| 0404 | 006309 | 0H21503300 | | S | | | | TUB DRAIN | | 34,10 |
| 0404 | 0C0325 | 0830899001 | | S | A | | | TEMP.PROBE; THERMOCOUPLE; L=85CM; BOILER | for Level TOUCH e B | 39,89 |
| 0404 | 0C6539 | 0830899101 | | S | A | | | THERMOCOUPLE PROBE; L=1100MM; STRAIGHT | for Level TOUCH e B | 40,19 |
| 0404 | 0C7028 | 0830400N00 | | S | A | | | SENSOR | | 42,12 |



PLATON SERVICE

8 (800) 500-34-41

www.platonservice.com